



HELPING YOU SOLVE ALL FILTRATION CHALLENGES



Guangzhou AAL Filter Environment Technology Co., Ltd

Add: Tangxia Str 405th, Tianhe Dist, Guangzhou, China 510000

Email: info@aalfilter.com

Cell phone: +8615975383304

website: <http://www.aalfilter.com>



AAL UPVC Cartridge Filter Housing

Model — UPVC Cartridge Filter Housing

AAL 5 C — 10

1 2 3 4

1.AAL: Company	2.Qty Of Cartridge Filter
3.Cartridge Filter Housing	4.Height Of Cartridge Filter

The UPVC cartridge filter housing (security or precision filter housing) is a high-precision filtration device.

It is mainly used for pre-filtration processes, and is widely applied in pure water systems, seawater desalination, brackish water treatment systems, and acid-alkaline liquid filtration.

It can also be used in household water purification systems.

Features

1. One-Piece UPVC Construction

The filter housing is manufactured from high-quality UPVC material with an integrated one-piece molding design, ensuring strong structural integrity, standardized production, and easy cartridge replacement and maintenance.

2. Excellent Corrosion Resistance

Made entirely of UPVC, this filter housing offers strong corrosion resistance—ideal for applications where stainless steel cannot be used—providing both economic and practical value in chemical and water treatment industries.

3. Optimized Flow Distribution Design

The liquid distribution system introduces flow evenly from the bottom center upward and outward, minimizing impact resistance on the filter cartridges, improving filtration efficiency, and extending cartridge service life. An air vent valve on the top allows easy air release during operation.

4. Convenient Cartridge Installation

The internal structure includes PP cartridge positioning support, eliminating the need for cartridge adjustment during installation. The integrated bottom plate and top compression plate design enables fast, simple, and secure cartridge installation and tightening compared with traditional structures.

5. Standardized Connection Ports

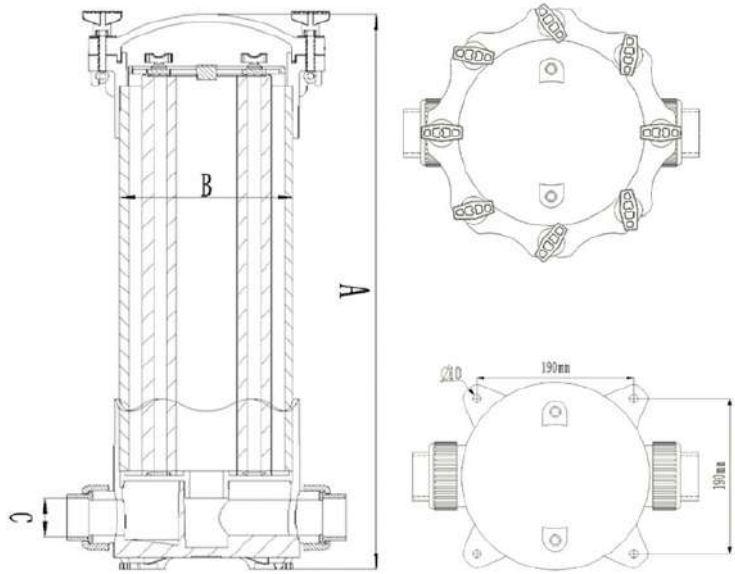
The top cover is reserved with air vent and pressure gauge mounting ports. Thread specification: G1/4". Adapters are available for metric pressure gauges if required.

6. Cost-Effective & Practical Solution

Compared with stainless steel housings, UPVC filter housings provide superior corrosion resistance while significantly reducing equipment and maintenance costs, making them an economical and practical solution for chemical processing and water treatment industries.



AAL UPVC Cartridge Filter Housing AAL5C



Specifications

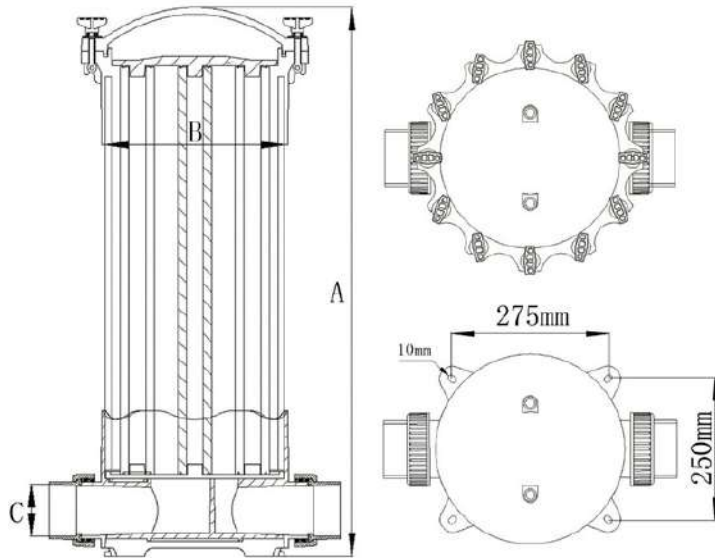
Model	AAL5C-10	AAL5C-20	AAL5C-30	AAL5C-40
Material	UPVC			
Housing Size mm	Ø225-H455	Ø225-H710	Ø225-H965	Ø225-H1220
Cartridge pcs	5 pcs			
Cartridge Length	10"	20"	30"	40"
In-outlet	48.5mm / 50mm			
Max temperature	45°C			
Max pressure	0.6Mpa			
Reference Flow m ³ /h	1-1.5	2.2-3	3.4-4.5	4.5-6

Reference Flow (m³/h) is calculated based on the data of 40" Cartridge Filter (5µm): 1.5–2 m³/h

AAL UPVC Cartridge Filter Housing AAL9C



A pressure relief valve can be installed on the top to automatically release pressure when it exceeds 5 kg/cm².



Specifications

Model	AAL9C-10	AAL9C-20	AAL9C-30	AAL9C-40
Material	UPVC			
Housing Size mm	Ø315-H505	Ø315-H760	Ø315-H1000	Ø315-H1270
Cartridge pcs	9 pcs			
Cartridge Length	10"	20"	30"	40"
In-outlet	88.9mm / 90mm			
Max temperature	45°C			
Max pressure	0.6Mpa			
Reference Flow m ³ /h	3.37-4.5	6.7-9	10-13.5	13.5-18

Reference Flow (m³/h) is calculated based on the data of 40" Cartridge Filter (5µm): 1.5–2 m³/h



AALFilter

Helping You Solve All Filtration Challenges

Reliable Filtration | Efficient Performance

Guangzhou AAL Filter Environment Technology Co., Ltd.

Address : Tangxia Str 405th, Tianhe District, Guangzhou, China

Tel : +86 155 2102 3763

+86 159 7538 3304

Website : www.aalfilter.com

Email : info@aalfilter.com

