



AAL UPVC High Flow Cartridge Filter Housing

Model — UPVC High Flow Cartridge Filter Housing

AAL HF — 20

1

2

3

- 1.AAL: Company
- 2.High Flow Cartridge Filter Housing
- 3.Height Of Cartridge Filter





AAL UPVC High Flow Cartridge Filter Housing AALHF

UPVC High Flow Filter Housings feature high flow capacity and long service life, and are widely used in wastewater and sewage reuse, seawater desalination, brackish water treatment, acid-alkaline liquid filtration, agricultural irrigation, swimming pools, and other applications.



Specifications

| Model | AALHF20 | AALHF40 |
|----------------------------------|----------------------|------------|
| Material | UPVC | |
| Housing Size mm | Ø225-H1070 | Ø225-H1560 |
| Cartridge pcs | 1 pcs | |
| Cartridge Length L1 | 525mm | 1015mm |
| Inlet Height L2 | 905mm | 1395mm |
| Cartridge Length | 20" | 40" |
| In-outlet | FLG : DN50 / ANSI 2" | |
| Max pressure | 0.7Mpa(100PSI) | |
| Reference Flow m ³ /h | 10-15 | 20-30 |

Note:

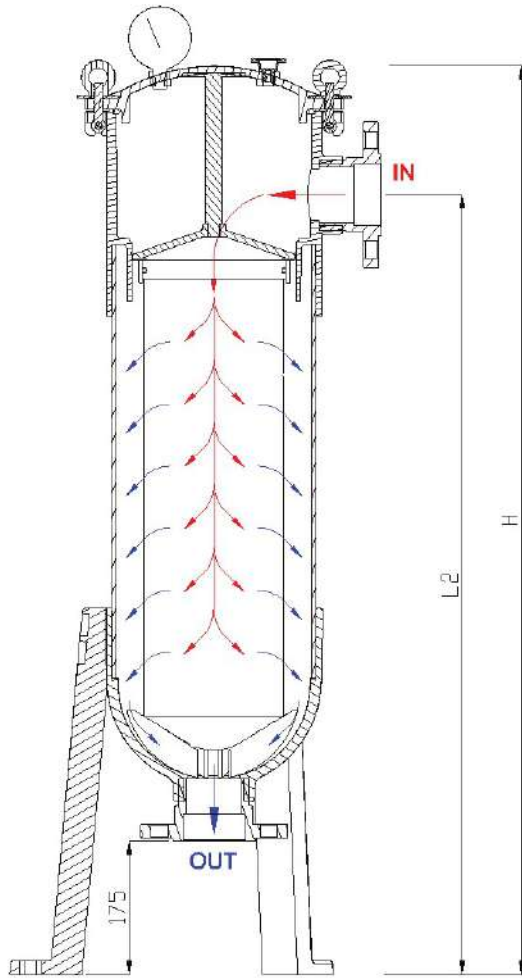
The housing contains one high-flow filter cartridge.

Maximum operating temperature: 45°C.

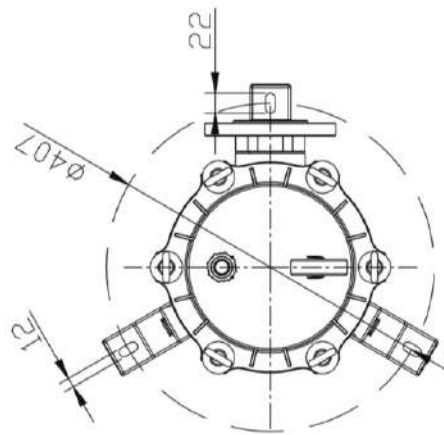
The thread size for the air vent and pressure gauge ports is G1/4".

If a metric pressure gauge is required, please order with an adapter.

If a PP diaphragm pressure gauge is needed, please specify when placing the order.



Flow Diagram



Pedestal Location

Features

1. Excellent Corrosion Resistance

Made of UPVC material, the housing offers outstanding resistance to corrosion, making it suitable for applications where stainless steel or carbon steel cannot be used.

2. High Flow Capacity

Each single high-flow cartridge provides a much larger flow rate compared to traditional filter cartridges, ensuring efficient filtration performance.

3. Extended Service Life

The cartridges typically last 3–4 times longer than standard cartridges, reducing maintenance frequency and operational costs.

4. User-Friendly Design

A convenient handle on the closed end of the cartridge allows for easy installation and quick replacement, improving operational convenience.



AAL UPVC High Flow Cartridge Filter Housing

Model — UPVC High Flow Cartridge Filter Housing

AAL MAX — 20

1

2

3

- 1.AAL: Company
- 2.MAX Series High Flow Cartridge Filter Housing
- 3.Height Of Cartridge Filter





AAL UPVC High Flow Cartridge Filter Housing AALMAX

UPVC High Flow Filter Housings feature high flow capacity and long service life, and are widely used in wastewater and sewage reuse, seawater desalination, brackish water treatment, acid-alkaline liquid filtration, agricultural irrigation, swimming pools, and other applications.



Specifications

| Model | AALMAX10 | AALMAX20 | AALMAX30 | AALMAX40 |
|----------------------------------|----------------|----------|----------|----------|
| Material | UPVC | | | |
| Housing Size L | 640mm | 890mm | 1135mm | 1400mm |
| Housing Size L1 | 415mm | 665mm | 910mm | 1175mm |
| Cartridge pcs | 1 pcs | | | |
| Cartridge Length | 10" | 20" | 30" | 40" |
| In-outlet | DN80 Couplings | | | |
| Max pressure | 0.7Mpa | | | |
| Reference Flow m ³ /h | 5-7.5 | 10-15 | 15-22.5 | 20-30 |

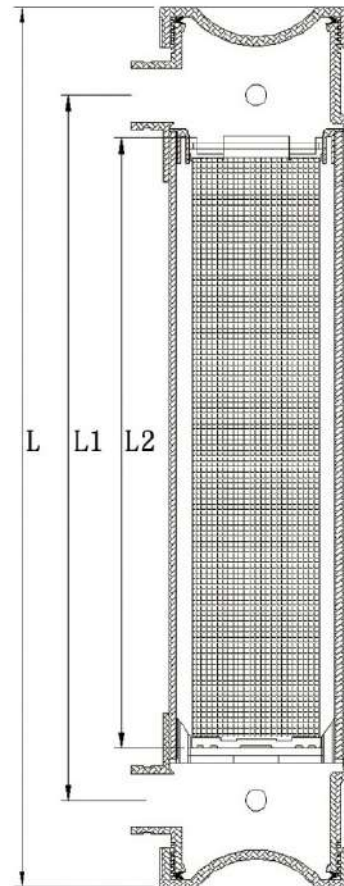
Note:

The housing contains one high-flow filter cartridge.

Maximum operating temperature: 45°C.

The inlet and outlet are connected by DN80 Couplings.

Customers can choose the filter cartridge and UPVC housing based on the liquid quality, flow rate and micron.



Features

1. Excellent Corrosion Resistance

Made of UPVC material, the housing offers outstanding resistance to corrosion, making it suitable for applications where stainless steel or carbon steel cannot be used.

2. High Flow Capacity

Each single high-flow cartridge provides a much larger flow rate compared to traditional filter cartridges, ensuring efficient filtration performance.

3. Extended Service Life

The cartridges typically last 3–4 times longer than standard cartridges, reducing maintenance frequency and operational costs.

4. Flexible Installation Options

The filtration system supports both vertical and horizontal installation to save space and suit various system layouts.

5. Enhanced Sealing Performance

Designed with double-sided V-shaped rubber rings for superior sealing, ensuring easy filter bag replacement and effectively preventing leakage.



AALFilter

Helping You Solve All Filtration Challenges

Reliable Filtration | Efficient Performance

Guangzhou AAL Filter Environment Technology Co., Ltd.

Address : Tangxia Str 405th, Tianhe District, Guangzhou, China

Tel : +86 155 2102 3763

+86 159 7538 3304

Website : www.aalfilter.com

Email : info@aalfilter.com

